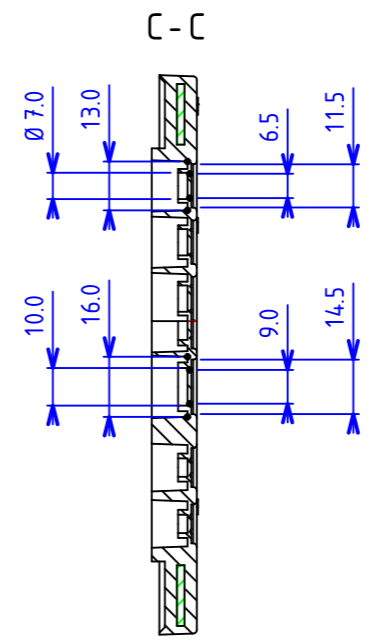
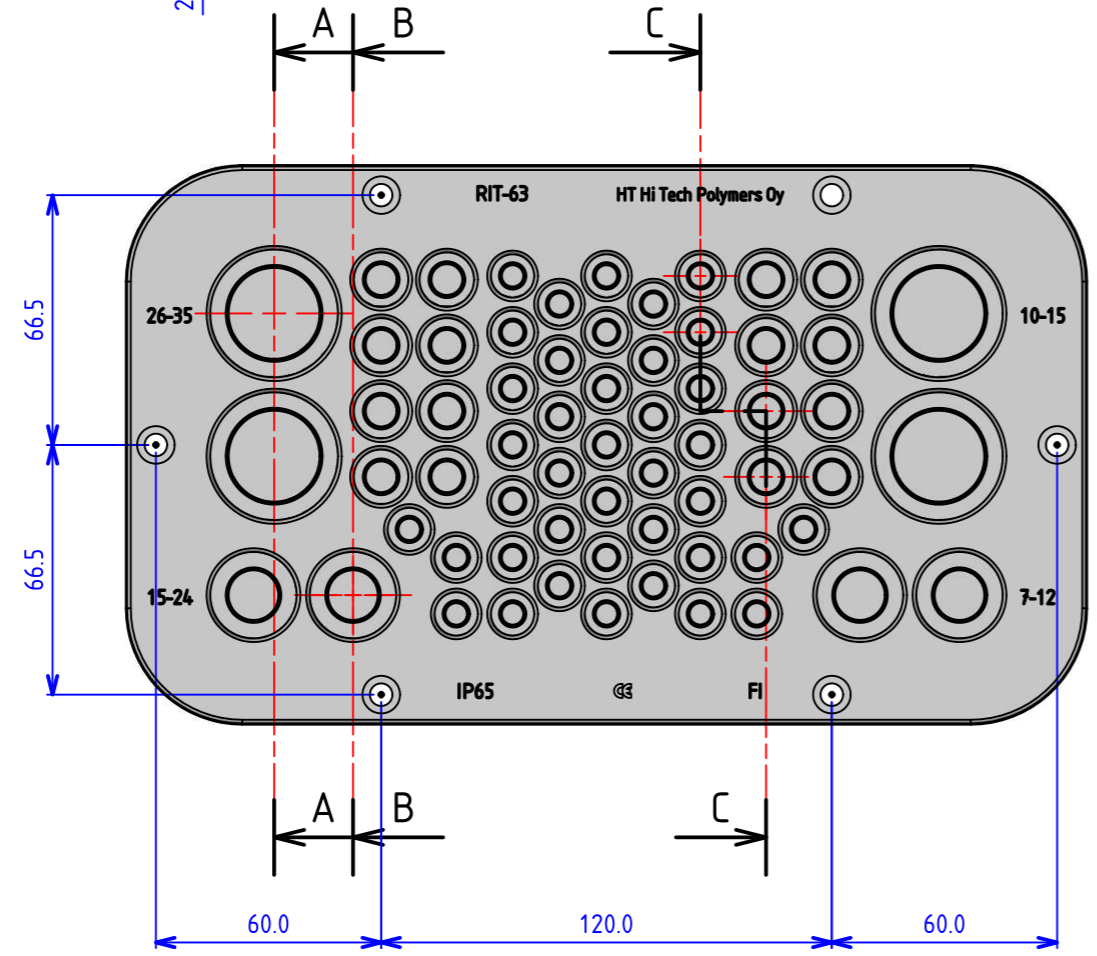
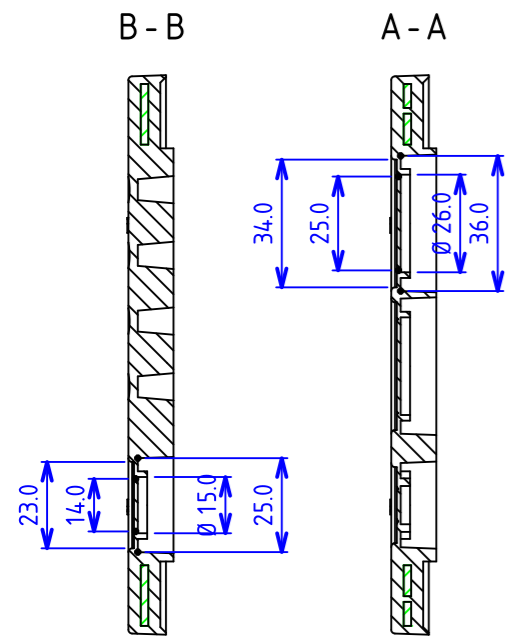
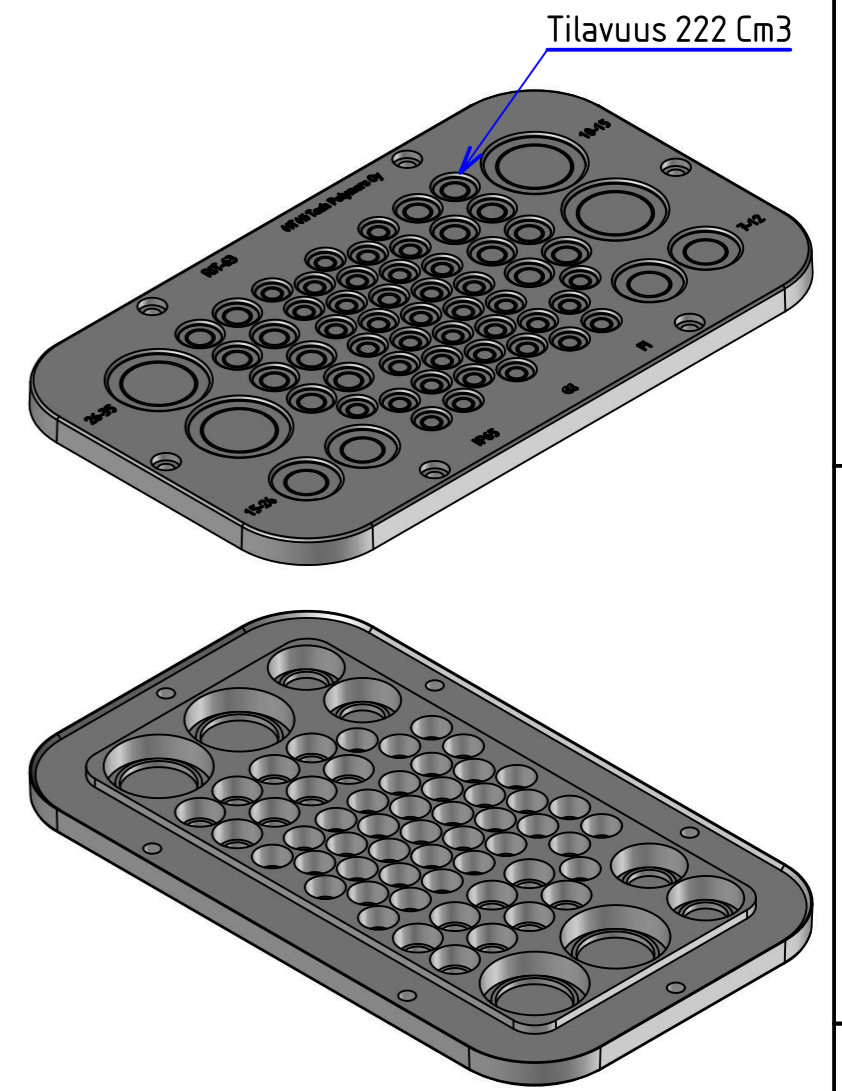
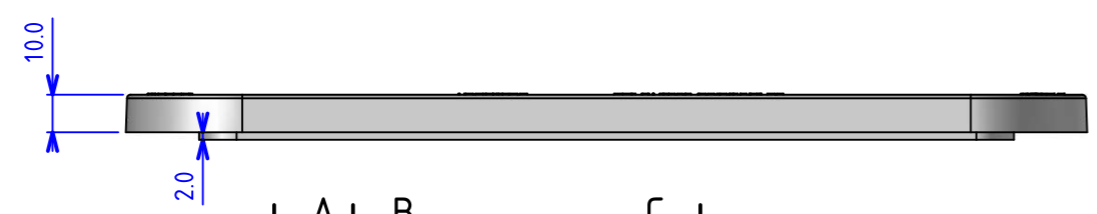
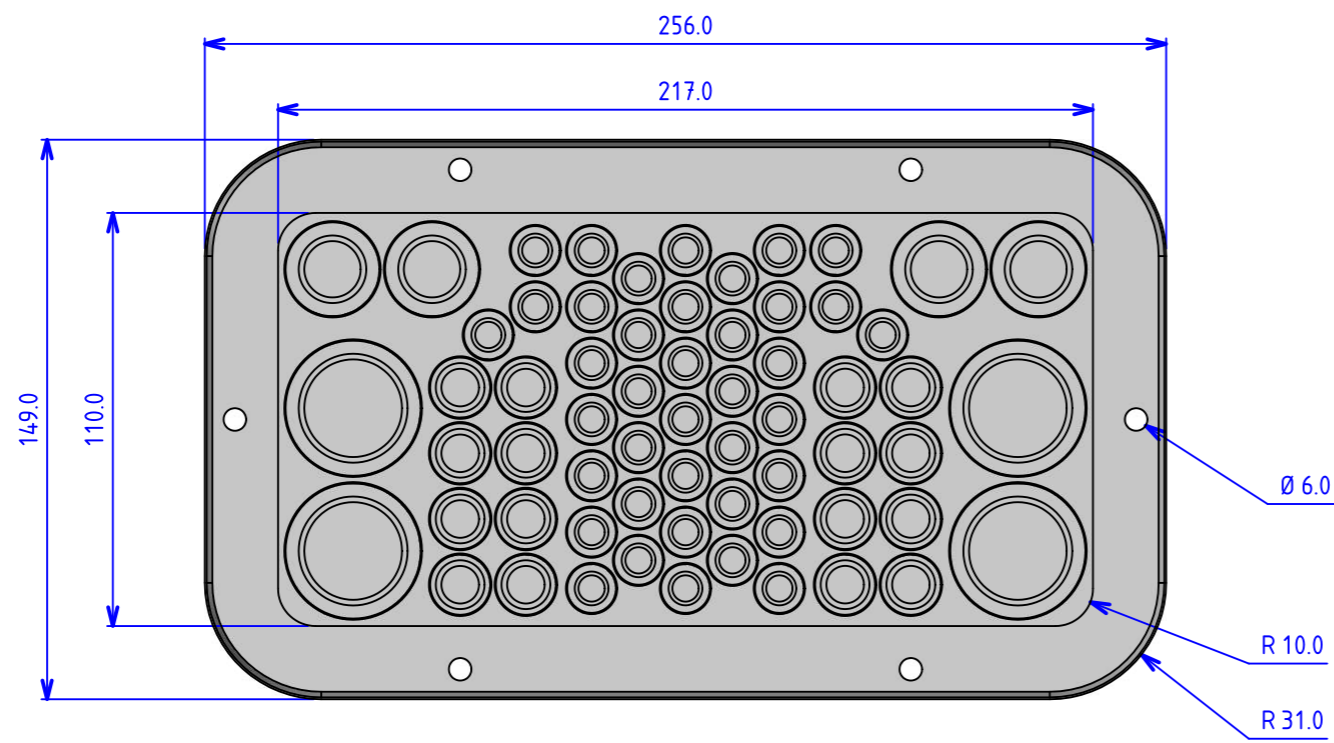


H G F E D C B A

4
3
2
1



SCALE	RIT-63	AUTHOR	
1:2		Tuomas	
	HT Hi Tech Polymers Oy	DATE	
		31/05/2019	
A3	Piir. N:o 3152019	Address1	
		Address2	
			00

H G F E D C B A